

Add-on to the main console unit Draco SIRA CON



Operator space up to 3x4K60

Free configurable Picture-in-Picture layouts

Additional support for RDP, VNC and HTML stream integration

Dual NIC interface to aggregate bandwidth or connect to different networks

Easy setup and operation

Ideal for surveillance of multiple SIRA CONs

## PRODUCT INFORMATION

A high-performance appliance to remotely access, monitor and control servers and workstations via secure TCP/IP streams, generated by Draco SIRA CONs.

The Draco SIRA User Station is a handy extension for KVM networks with Draco SIRA CON for IP access. The appliance provides keyboard and mouse connectivity via USB as well as analog audio output. Up to three 4K

displays can be connected via DP 1.2 (2) and HDMI 2.0 (1) interfaces. Multiple incoming KVM streams are supported and can be arranged and displayed in a MultiView-like layout side by side with RDP, VNC and HTML streams.

### Connection via Remote IP CON

The Draco SIRA User Station integrates with the Draco tera matrix system via the IP connection to the Draco SIRA CON, allowing KVM access to sources

within the KVM system or individual PCs and servers via Draco SIRA Stand-Alone.

### Maximum security and flexibility

The Draco SIRA User Station provides flexible remote access to all servers and devices connected to a Draco tera matrix.

The TCP/IP protocol is isolated from the matrix by the use of native interfaces.

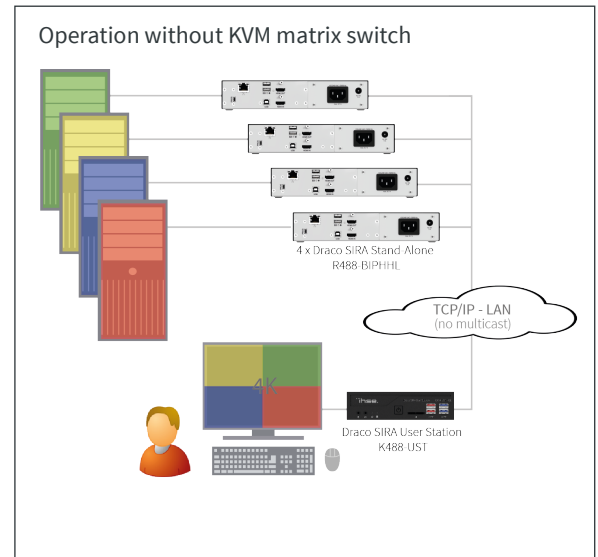
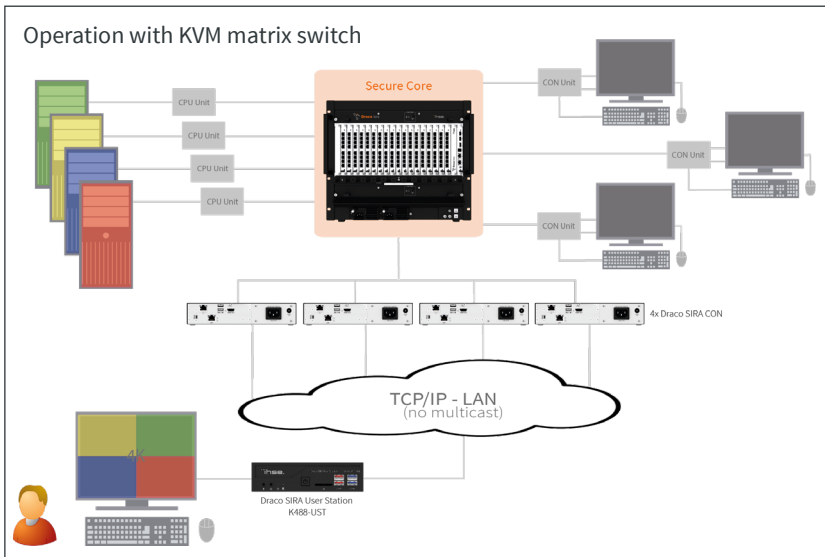
## PRODUCT FEATURES

- Provides secure access from remote locations
- Increasing flexibility in accessing the matrices via LAN or WAN
- Supports MultiViewing capabilities with freely definable layouts
- Up to five SIRA User Stations can be synchronized to one homogeneous multiscreen setup (or 15 monitors)
- Adjusts video sensing and color calibration settings
- Connects or disconnects a virtual media drive or a smart card reader from the target server, if the target supports virtual media
- Shows several display options, such as scaled video (picture-in-picture modes), full-screen mode

Add-on to the main console unit Draco SIRA CON

TECHNICAL DATA	
Input	2x RJ-45 (Gigabit Ethernet)
Output	2x DP 1.2, 1x HDMI 2.0
Audio (embedded)	Analog Audio 3.5 mm jacks
Maximum resolution	Up to 3x 3840 x 2160 @ 60 Hz, 8 bit / True Color
Keyboard / mouse	8x USB Type A
Supported protocols	TCP/IP
Encryption	AES (up to 256 bit)
Power supply	100-240 V AC / 19 V DC external PSU
Current draw	Max. 90 W per extender module
Dimensions	165 x 43 x 195 mm
Weight	1,3 kg netto, 2,1 kg brutto
Chassis / mounting accessories	Suitable Draco vario chassis and accessories under the following link: <a href="http://www.ihse.com/chassis-accessoires">www.ihse.com/chassis-accessoires</a>

## FUNCTIONAL DIAGRAMS



## ORDER NUMBER

DRACO SIRA USER STATION		PART NO.
Draco SIRA User Station		K488-UST
DRACO SIRA CON		PART NO.
Draco SIRA CON, Cat X		R488-BIPC
Draco SIRA CON, Cat X with redundant link interface		R488-BIPCR
Draco SIRA CON, Fiber		R488-BIPS
Draco SIRA CON, Fiber with redundant link interface		R488-BIPSR
DRACO SIRA STAND-ALONE		PART NO.
Draco SIRA Stand-Alone module with native HDMI and USB interfaces		R488-BIPHHL



IHSE offers an online tool for free configuration of your KVM projects. It enables documentation and verification of individual extenders up to complete matrix applications. All KVM switches and extenders are available for selection, including add-on modules, chassis variants and special accessories: [dsd.ihse.com](http://dsd.ihse.com)